

Installing Stainless Steel Handrail Wall Bracket *Square for Flat Bottom Tube Slim*

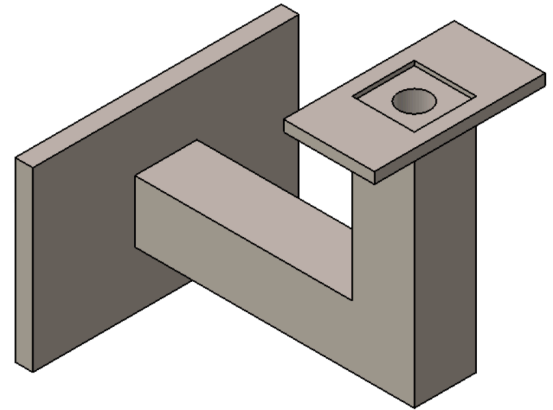
Overview¹

These instructions will provide step-by-step installation guidelines for installing the Stainless Steel Handrail Wall Bracket Square for Flat Bottom Tube Slim, HBWA.009 into wood, drywall, or sheetrock

These brackets come with a wall bracket screw/hanger bolt to attach to the wall, and an M6 bolt to attach to a handrail

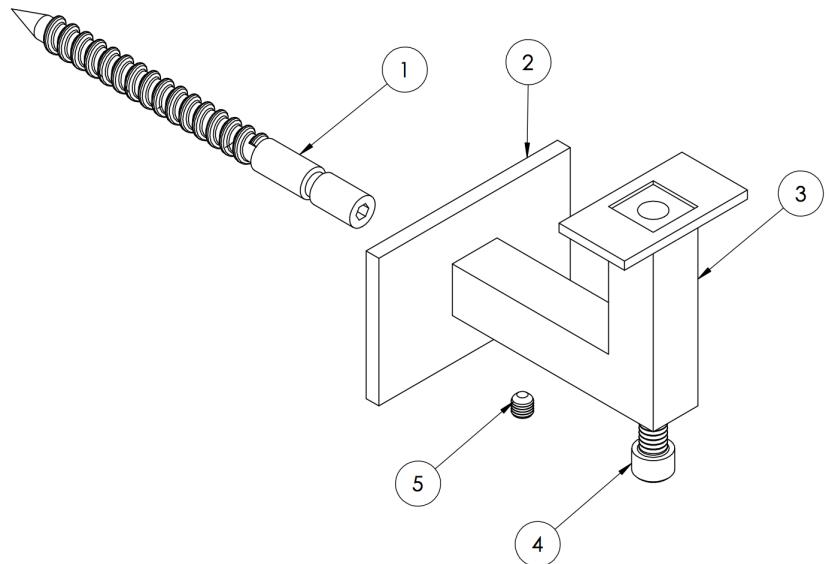
Brackets should be installed at a maximum spacing of 5'

Caution: Wear protective ANSI approved safety glasses, working gloves and breathing mask at all times



Tools Required

- 1) Stud-finder
- 2) Handheld drill
- 3) 3/16" drill bit
- 4) 2.5mm, 5mm hex wrench
- 5) M6x1.00 Drill and Tap



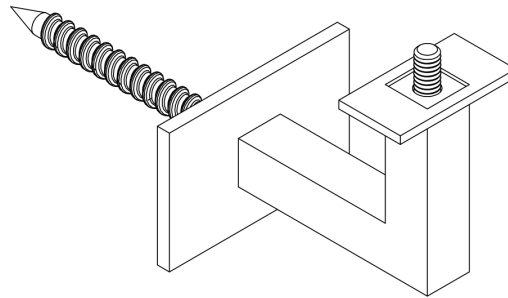
Bracket Components

1. Hanger Bolt
2. Wall Flange Plate
3. Bracket
4. M6 Bolt
5. M5 Socket Screw

¹ This document includes hyperlinks and is intended to be viewed as a PDF file rather than print material

Instruction

- 1) Using a stud-finder, locate a stud and the vertical position off the nose of the step that you would like to position the handrail bracket (this hole on average is 31" depending on your county code and comfort). Spot drill using 3/16" drill bit.
- 2) Drive the hanger screw (part #1) into the hole and secure the lag end of the stud using a 5mm allen wrench.
- 3) Insert the bracket into the sleeve. Position the bracket to the desired angle orientation and tighten the hex screw with the 2.5mm wrench.



- 4) To connect to Inline Design steel tubes, insert the M6 bolt through the vertical portion of the main assembly, [refer to these instructions to install Inline Design square or round tubing and additional hardware](#).

Note: If affixing to a wooden handrail, customers will need to purchase lag screw to replace M6 bolt

NOTE: A small amount of surface corrosion is not uncommon after some exposure to weather or salty conditions; we recommend using our [passivation solution](#) or a stainless steel polish to prevent surface corrosion; more information available [on our Engineering Specs Page](#)