

# Installing Stainless Steel Handrail Wall Bracket

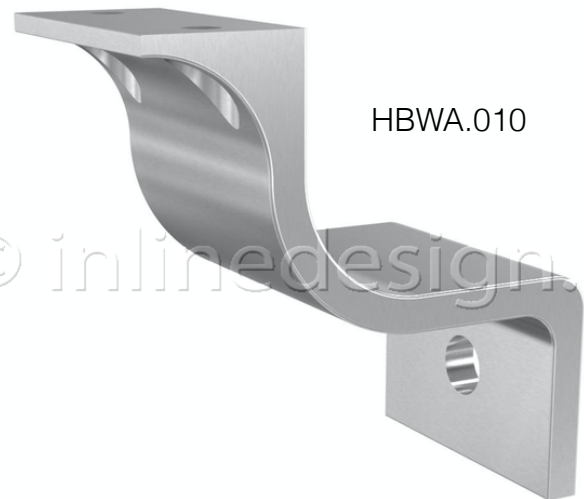
## *Pulsar*

### Overview<sup>1</sup>

These instructions will provide step-by-step installation guidelines for installing the Stainless Steel Handrail Wall Bracket Pulsar, HBWA.010 into sheetrock, wood, or drywall surfaces.

This bracket comes with a round saddle adapter to attach to round tubing and 2x M5 screws to attach to a handrail

Brackets should be installed with a maximum distance of 4'



### Caution:

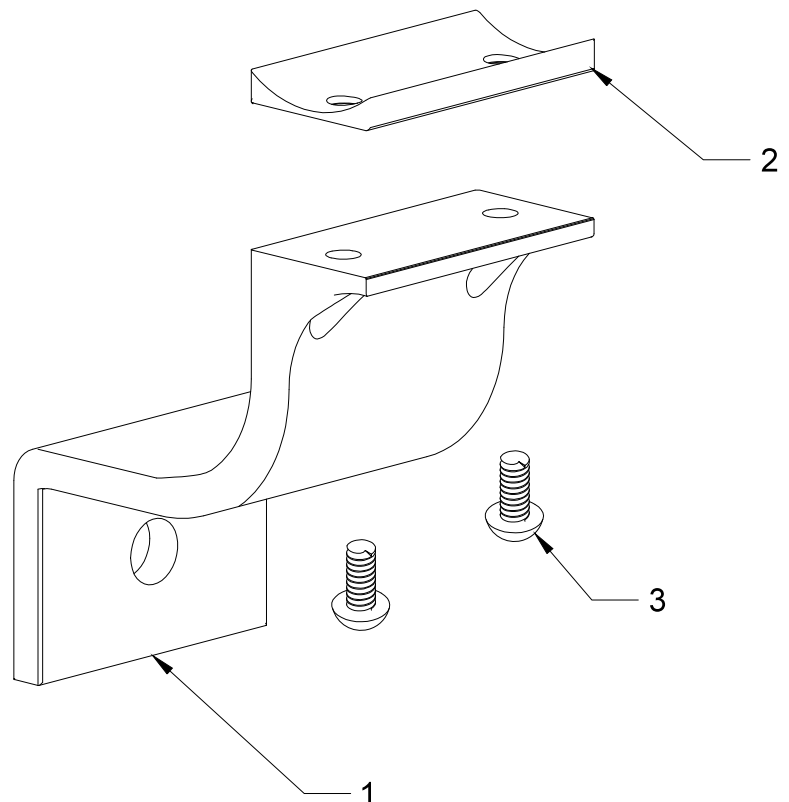
Wear protective ANSI approved safety glasses, working gloves and breathing mask at all times

### Tools Required

- 1) Stud-finder
- 2) Handheld drill
- 3) 3/16" drill bit
- 4) [Not Provided] 1x 3/8" mounting wall screw or bolt

### HBWA.010 Components:

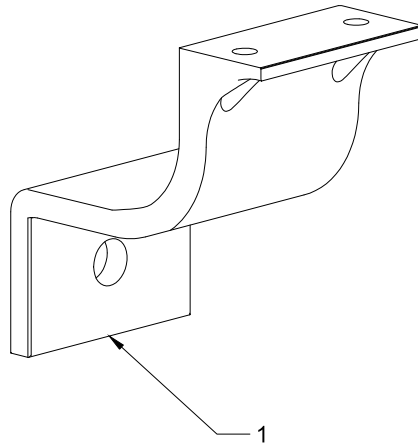
- 1: Bracket
- 2: Round tube adapter
- 3: 2x M5 bolts



<sup>1</sup> This document includes hyperlinks and is intended to be viewed as a PDF file rather than print material

## Instructions

- 1) Using a stud-finder, locate a stud and the vertical point on the wall that you wish to install your bracket (this point averages about 31" up from the nose of the step depending on your county code and comfort). Spot drill using 3/16" drill bit
- 2) Position bracket at desired orientation and use selected screw/bolt to mount and secure the bracket to the mounting surface



- 3) [Refer to these instructions to install Inline Design square or round tubing and additional hardware](#)  
*Note: If using a round handrail, position the round saddle adapter on top of the flat saddle before attaching handrails.*

---

*NOTE: A small amount of surface corrosion is not uncommon after some exposure to weather or salty conditions; we recommend using our [passivation solution](#) or a stainless steel polish to prevent surface corrosion; more information available [on our Engineering Specs Page](#)*